



ELECTRIC PROFESSIONAL SLICERS

S.R.L

VIA GIOVANNI XXIII, 11 — 22072 CERMENATE (COMO) ITALY — TEL.: +39 031 722 819 — FAX: +39 031 722 825

www.rgv.it — E-mail: info@rgv.it

E-mail USA e CANADA: ferzuc@yahoo.com — E-mail ARGENTINA: expoezeq@arnet.com.ar

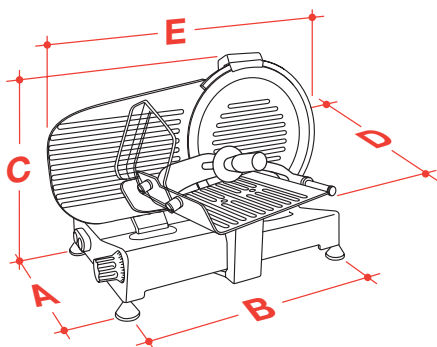


SERIE **LADY**

Mod. **275/S**

TECHNICAL CHARACTERISTICS

- Cast aluminium structure **anodized base** ● Tempered professional blade
- Blade cover, tray and bulkhead: in anodized aluminium ● Fixed blade protection ring
- Shaft holding the blade mounted on a double ball-bearing ● Protection on the tray in transparent material
- Professional ventilated motor 230V - 50Hz ● Slicing thickness up to 14 ÷ 16 mm
- Different voltage by request ●



A mm	263
B mm	415
C mm	375
D mm	410
E mm	505

Blade diameter (Ø)	mm	275
Motor power	Watt	150
Capacity of cutting about	mm	230 x 190
Carriage stroke	mm	255
Gross weight	kg	16,5
Packing dimensions	cm	49 x 55 x 45
	m ³	0,12